



## Technical Data

### BZR Buzzers

IP40



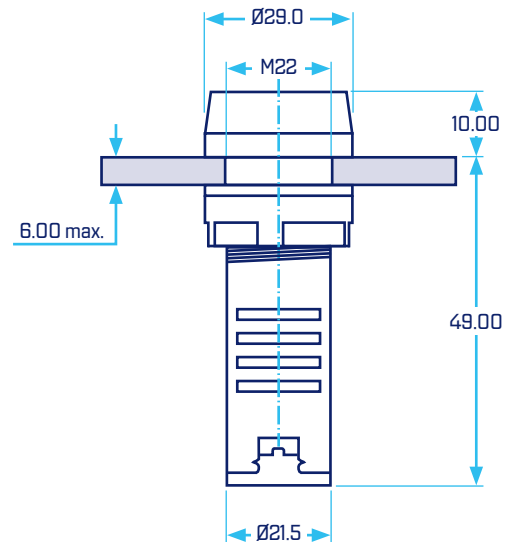
- 22.5mm Single Hole Mounting
- IP40 Protection Rating
- 24VAC/DC, 110VAC/DC & 230VAC
- Polycarbonate Body & Lens
- Temperature Range: -5°C to +40°C
- Intermittent sound output: 80-85dB
- Intermittent Red LED Option

### ORDERING INFORMATION

Part Number	Voltage Rating	Description
<b>BZR-12</b>	12VAC/DC	Buzzer
<b>BZRL-12</b>		Buzzer with LED
<b>BZR-24</b>	24VAC/DC	Buzzer
<b>BZRL-24</b>		Buzzer with LED
<b>BZR-110</b>	110VAC/DC	Buzzer
<b>BZRL-110</b>		Buzzer with LED
<b>BZR-230AC</b>	230VAC	Buzzer
<b>BZRL-230AC</b>		Buzzer with LED

### DIMENSIONS [mm]

Part Number	Total Length	Lens Diameter	Mounting Hole
<b>BZR/BZRL</b>	59.00	29.00	M22



### GENERAL INFORMATION

Outer Material	Polycarbonate
Approvals	UKCA, CE, RoHS
Connection Type	Screw Clamp
Mounting Type	Panel Mount

### TECHNICAL SPECIFICATION

Part Number	BZR	BZRL
Fixing Hole Diameter	22.5mm	
Loudness	80-85dB	
Alert Frequency	Sound Only: 0.75Hz (45 times per min.)	Sound & Light: 0.5Hz (approx 30 times per min.)
Brightness	n/a	≥20cd/m <sup>2</sup>
Electrical Life	≥30,000 hours	
Max. Power Consumption	12V AC/DC	0.36W
	24V AC/DC	0.72W
	110V AC/DC	3.3W
	230V AC	6.9W
Protection Rating	IP40	
Temperature Range	-5°C to +40°C	

For more information, email [info@stag-electrical.com.au](mailto:info@stag-electrical.com.au)