



Technical Data

PLGT LED Pilot Lights

IP67



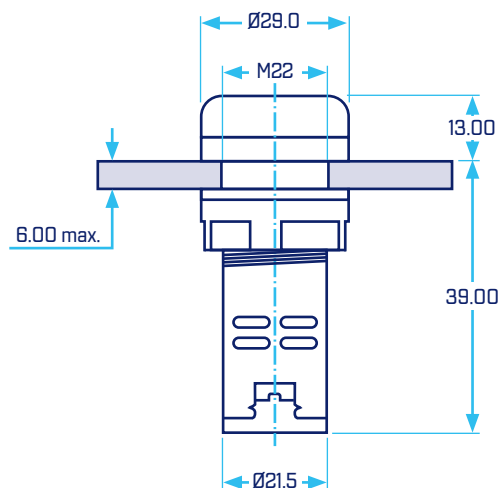
- 22.5mm Single Hole Mounting
- IP67 Protection Rating
- 12VAC/DC, 24VAC/DC, 110VAC/DC & 230VAC
- Multi-chip LED integrated onto light surface
- Temperature Range: -25°C to +55°C
- Brightness $\geq 60\text{cd/m}^2$
- Available in 5 colours: Red; Green; Blue; Orange; White

ORDERING INFORMATION

Part Number	Voltage Rating	Colour
PLGT-12-RED	12VAC/DC	Red
PLGT-12-GREEN		Green
PLGT-12-BLUE		Blue
PLGT-12-ORANGE		Orange
PLGT-12-WHITE		White
PLGT-24-RED	24VAC/DC	Red
PLGT-24-GREEN		Green
PLGT-24-BLUE		Blue
PLGT-24-ORANGE		Orange
PLGT-24-WHITE		White
PLGT-110-RED	110VAC/DC	Red
PLGT-110-GREEN		Green
PLGT-110-BLUE		Blue
PLGT-110-ORANGE		Orange
PLGT-110-WHITE		White
PLGT-230AC-RED	230VAC	Red
PLGT-230AC-GREEN		Green
PLGT-230AC-BLUE		Blue
PLGT-230AC-ORANGE		Orange
PLGT-230AC-WHITE		White

DIMENSIONS [mm]

Part Number	Total Length	Lens Diameter	Mounting Hole
PLGT-XX-XX	52.00	29.00	M22



TECHNICAL SPECIFICATION

Part Number	PLGT
Fixing Hole Diameter	22.5mm
Insulation Resistance	$\geq 2\text{M}\Omega$
AC Voltage Tolerance	$\pm 20\%$
AC Frequency	50-60Hz
Electrical Life	> 30,000 hours
Brightness	$\geq 60\text{cd/m}^2$
Protection Rating	IP67
Temperature Range	-25°C to +55°C
Vibration Resistance	2 - 80Hz, 0.7g/h

WIRING SCHEMATIC



For more information, email info@stag-electrical.com.au



Technical Data

PLGT-T LED Pilot Lights



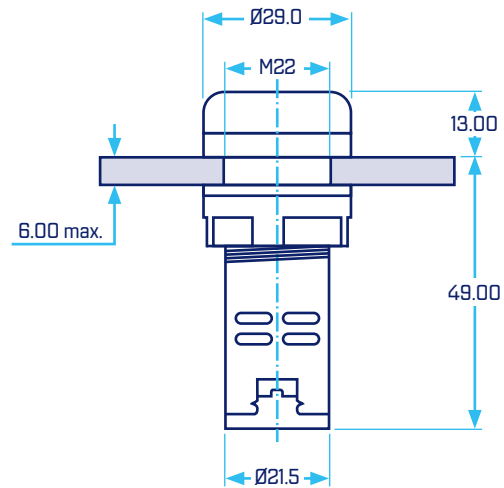
- 22.5mm Single Hole Mounting
- IP67 Protection Rating
- Test Function
- 12VAC/DC, 24VAC/DC, 110VAC/DC & 230VAC
- Multi-chip LED integrated onto light surface
- Temperature Range: -25°C to +55°C
- Brightness $\geq 60\text{cd/m}^2$
- Available in 5 colours: Red; Green; Blue; Orange; White

ORDERING INFORMATION

Part Number	Voltage Rating	Colour
PLGT-T-24AC/DC-RD	24VAC/DC	Red
PLGT-T-24AC/DC-GN		Green
PLGT-T-24AC/DC-BL		Blue
PLGT-T-24AC/DC-OR		Orange
PLGT-T-24AC/DC-WT		White
PLGT-T-110AC/DC-RD	110VAC/DC	Red
PLGT-T-110AC/DC-GN		Green
PLGT-T-110AC/DC-BL		Blue
PLGT-T-110AC/DC-OR		Orange
PLGT-T-110AC/DC-WT		White
PLGT-T-230AC/DC-RD	230VAC	Red
PLGT-T-230AC/DC-GN		Green
PLGT-T-230AC/DC-BL		Blue
PLGT-T-230AC/DC-OR		Orange
PLGT-T-230AC/DC-WT		White

DIMENSIONS [mm]

Part Number	Total Length	Lens Diameter	Mounting Hole
PLGT-T-XXAC/DC-XX	62.00	29.00	M22



TECHNICAL SPECIFICATION

Part Number	PLGT-T
Fixing Hole Diameter	22.5mm
Insulation Resistance	$\geq 2\text{M}\Omega$
AC Voltage Tolerance	$\pm 20\%$
AC Frequency	50-60Hz
Electrical Life	> 30,000 hours
Brightness	$\geq 60\text{cd/m}^2$
Protection Rating	IP67
Temperature Range	-25°C to +55°C
Vibration Resistance	2 - 80Hz, 0.7g/h

WIRING SCHEMATIC

