



Technical Data

SLI66 Enclosed Lever Isolators



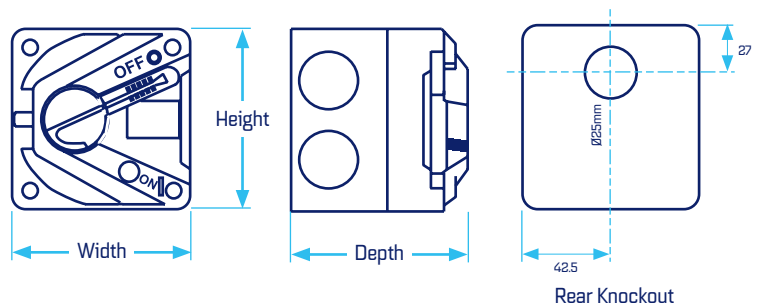
- 1 & 2 Pole Range available from 10A to 20A
- IP66 Protection Rating (enclosure)
- EN 60947-3 Compliant
- Dual 20mm & 25mm Gland Knockouts
- ON/OFF Position clearly indicated
- Lockable Lever Handle
- Flame Retardant
- Single Piece Sealing Gasket
- Mounting & Sealing Screw Covers included

ORDERING INFORMATION

Part Number	Current I _b (AC23A)	Rated Operating Voltage	Poles
SLI66-1-10	10A	250V	1
SLI66-1-20	20A	250V	1
SLI66-2-20	20A	250V	2

DIMENSIONS (mm)

Part Number	Height	Width	Depth (inc. Handle)
SLI66-1-10	85	85	80
SLI66-1-20	85	85	80
SLI66-2-20	85	85	80



GENERAL INFORMATION

Enclosure Material	Polycarbonate
Lid Screw Material	Stainless Steel
Ingress Protection	IP66 Enclosure / IP20 Body
Approvals	UKCA, CE
Compliance	IEC EN 60947-3, RoHS

TECHNICAL SPECIFICATION

Part Number	SLI66-1-10	SLI66-1-20	SLI66-2-20
Poles	1	1	2
Rated Operational Current I _b (AC23A) [A]	10	20	20
Rated Voltage [V]	250	250	250
Frequency [Hz]	50/60	50/60	50/60
Rated Insulation Voltage U _i [V]	250	250	250
Max. Cable Size (Solid/Stranded) [mm ²]	10	10	10
Short Time Withstand Current 1 sec. I _{sw} [A]	450	450	450
Short Time Making Capacity I _{cm} [A]	500	500	500
Protection Degree	IP66	IP66	IP66
Tightening Torque [Nm]	0.8	0.8	0.8
Mechanical Life (10 ³)	10	10	10
Operating Temperature	-5°C to +40°C		
Weight [kg]	0.18	0.18	0.20

For more information, email info@stag-electrical.com.au



Technical Data

SLI66L Enclosed Lever Isolators



- 1 & 3 Pole Range available from 20A to 63A
- IP66 Protection Rating (enclosure)
- EN 60947-3 Compliant
- Single-piece Sealing Gasket
- 4x25mm Threaded Entry Points (2x25mm-20mm Adaptors Supplied)
- Lockable Lever Handle
- Flame Retardant
- Base Mounting Screw Covers
- Additional Earth & Neutral Connection
- Integral Encapsulated Mounting Holes

ORDERING INFORMATION

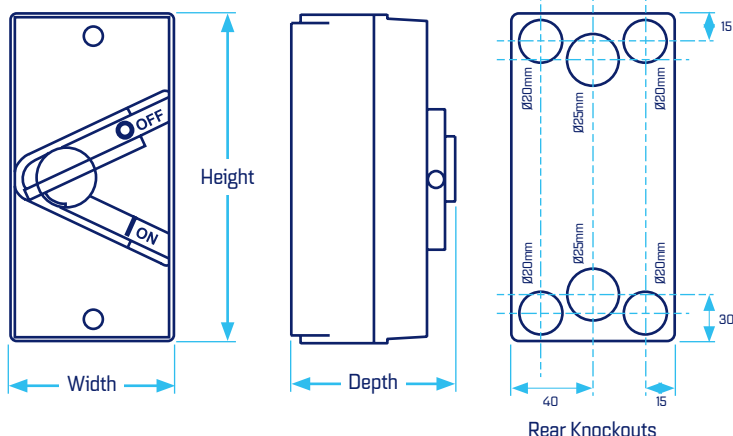
Part Number	Current I _e (AC23A)	Rated Operating Voltage	Poles
SLI66L-1-20	20A	250V	1
SLI66L-1-35	35A	250V	1
SLI66L-1-63	63A	250V	1
SLI66L-3-20	20A	415V	3
SLI66L-3-35	35A	415V	3
SLI66L-3-63	63A	415V	3

DIMENSIONS (mm)

Part Number	Height	Width	Depth (inc. Handle)
SLI66L-1-20	166	83	86
SLI66L-1-35	166	83	86
SLI66L-1-63	166	83	86
SLI66L-3-20	166	83	86
SLI66L-3-35	166	83	86
SLI66L-3-63	166	83	86

GENERAL INFORMATION

Enclosure Material	Polycarbonate
Lid Screw Material	Stainless Steel
Ingress Protection	IP66 Enclosure / IP20 Body
Approvals	UKCA, CE
Compliance	IEC EN 60947-3, RoHS



Rear Knockouts

TECHNICAL SPECIFICATION

Part Number	SLI66L-1-20	SLI66L-1-35	SLI66L-1-63	SLI66L-3-20	SLI66L-3-35	SLI66L-3-63
Poles	1	1	1	3	3	3
Rated Operational Current I _e [AC23A] [A]	20	35	63	20	35	63
Rated Voltage [V]	250	250	250	415	415	415
Frequency [Hz]	50/60	50/60	50/60	50/60	50/60	50/60
Rated Insulation Voltage U _i [V]	500	500	500	500	500	500
Max. Cable Size [Solid/Stranded] [mm ²]	16	16	16	16	16	16
Short Time Withstand Current 1 sec. I _{cw} [A]	12 I _e	12 I _e	12 I _e	12 I _e	12 I _e	12 I _e
Short Time Making Capacity I _{cm} [A]	1.41 I _{cw}	1.41 I _{cw}	1.41 I _{cw}	1.41 I _{cw}	1.41 I _{cw}	1.41 I _{cw}
Protection Degree	IP66	IP66	IP66	IP66	IP66	IP66
Tightening Torque [Nm]	1.5	1.5	1.5	1.5	1.5	1.5
Mechanical Life (10 ³)	10	10	10	10	10	10
Operating Temperature	-5°C to +40°C					
Weight [kg]	0.38	0.38	0.38	0.44	0.44	0.44

For more information, email info@stag-electrical.com.au