



# Technical Data

## IS4P Enclosed Rotary Isolators

IP65



- 4 Pole Range available from 20A to 150A
- IP65 Protection Rating (enclosure)
- EN 60947-3 Compliant
- 3 Sizes of Enclosure
- Multiple Gland Knockouts
- Lockable Rotary Handle
- Flame Retardant
- External Mounting Points
- Additional Earth Connection
- Interlocked Enclosure Lid

### ORDERING INFORMATION

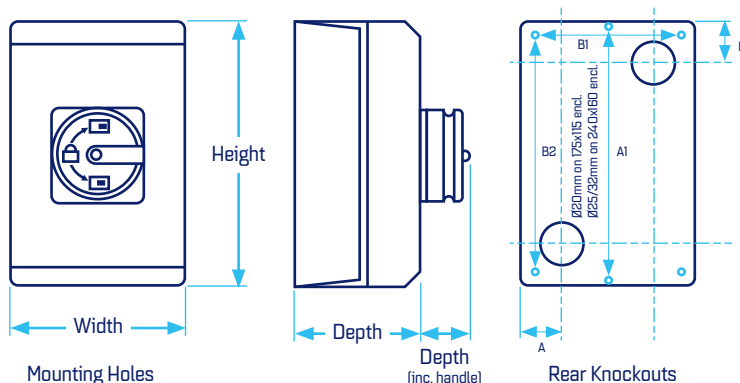
Part Number	Current I <sub>e</sub> (AC21)	Rated Operating Voltage	Poles
IS4P20	20A	230 - 440V	4
IS4P20L	20A	230 - 440V	4
IS4P32	32A	230 - 440V	4
IS4P32L	32A	230 - 440V	4
IS4P40	40A	230 - 440V	4
IS4P63	63A	230 - 440V	4
IS4P80	80A	230 - 440V	4
IS4P100	100A	230 - 440V	4
IS4P125	125A	230 - 440V	4
IS4P150	150A	230 - 440V	4

### DIMENSIONS (mm)

Part Number	Height	Width	Depth	Depth inc. Handle	Gland Knockouts
IS4P20	125	100	85	120	M20/25
IS4P20L	175	115	100	135	M20/25
IS4P32	125	100	85	120	M20/25
IS4P32L	175	115	100	135	M20/25
IS4P40	175	115	100	135	M20/25
IS4P63	175	115	100	135	M20/25
IS4P80	240	160	120	165	M20/25/32
IS4P100	240	160	120	165	M20/25/32
IS4P125	240	160	120	165	M20/25/32
IS4P150	240	160	120	165	M20/25/32

### GENERAL INFORMATION

Enclosure Material	Polycarbonate
Lid Screw Material	Stainless Steel
Ingress Protection	IP65 Enclosure / IP20 Body
Interlocked Handle	In ON Position
Approvals	UKCA, CE, SEMKO
Compliance	IEC EN 60947-3, RoHS



Mounting Holes  
 For IS4P20 & IS4P32 / IS4P20L, IS4P32L, IS4P40 & IS4P63  
 A1: 115mm / 165mm  
 For IS4P80, IS4P100, IS4P125 & IS4P150  
 B1: 142mm, B2: 193mm

Rear Knockouts  
 A: 27.5mm on 175x115mm enclosure  
 42mm on 240x160mm enclosure  
 B: 25mm on 175x115mm enclosure  
 42.0mm on 240x160mm enclosure

### TECHNICAL SPECIFICATION

Part Number	IS4P20	IS4P20L	IS4P32	IS4P32L	IS4P40	IS4P63	IS4P80	IS4P100	IS4P125	IS4P150
Poles	4	4	4	4	4	4	4	4	4	4
Rated Operational Current I <sub>e</sub> (AC21) [A]	20	20	32	32	40	63	80	100	125	150
Rated Power of 3Ph Motor at 415V (AC23A) (kW)	5.5	5.5	11	11	15	22	30	37	45	70
Rated Voltage [V]	415	415	415	415	415	415	415	415	415	415
Frequency [Hz]	50/60	50/60	50/60	50/60	50/60	50/60	50/60	50/60	50/60	50/60
Rated Insulation Voltage U <sub>i</sub> [V]	690	690	690	690	690	690	690	690	690	690
Max. Cable Size (Solid/Stranded) (mm <sup>2</sup> )	10	10	10	10	10	16	35	35	35	35
Rated Cond. Short Circuit Current [A]	20 I <sub>e</sub>	20 I <sub>e</sub>	20 I <sub>e</sub>	20 I <sub>e</sub>	20 I <sub>e</sub>	20 I <sub>e</sub>	20 I <sub>e</sub>	20 I <sub>e</sub>	20 I <sub>e</sub>	20 I <sub>e</sub>
Short Time Withstand Current 415V 1 sec. [A]	12 I <sub>e</sub>	12 I <sub>e</sub>	12 I <sub>e</sub>	12 I <sub>e</sub>	12 I <sub>e</sub>	12 I <sub>e</sub>	12 I <sub>e</sub>	12 I <sub>e</sub>	12 I <sub>e</sub>	12 I <sub>e</sub>
Rated Make/Break Capacity [A]	8 I <sub>e</sub>	8 I <sub>e</sub>	8 I <sub>e</sub>	8 I <sub>e</sub>	8 I <sub>e</sub>	8 I <sub>e</sub>	8 I <sub>e</sub>	8 I <sub>e</sub>	8 I <sub>e</sub>	8 I <sub>e</sub>
Protection Degree	IP65	IP65	IP65	IP65	IP65	IP65	IP65	IP65	IP65	IP65
Tightening Torque (Contacts / Lid) (Nm)	2 / 1.2	2 / 1.2	2 / 1.2	2 / 1.2	2 / 1.2	2 / 1.2	3 / 1.2	3 / 1.2	3 / 1.2	3 / 1.2
Mechanical Life (10 <sup>3</sup> )	10	10	10	10	10	10	10	10	10	10
Weight (kg)	0.52	0.75	0.52	0.75	0.75	0.75	1.34	1.34	1.34	1.34

For more information, email [info@stag-electrical.com.au](mailto:info@stag-electrical.com.au)



# Technical Data

## SAC Auxiliary Contacts

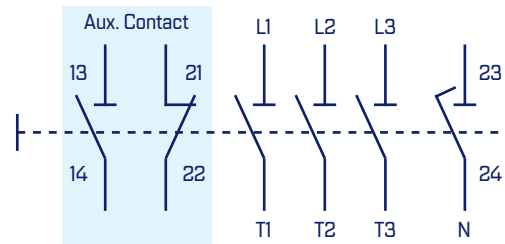


- Auxiliary Contact for Stag Rotary Isolators
- EN 60947-3 Compliant
- 3 Sizes Covering Entire Isolator Range
- Fits on Left Hand Side
- 1 NO & 1NC Contacts

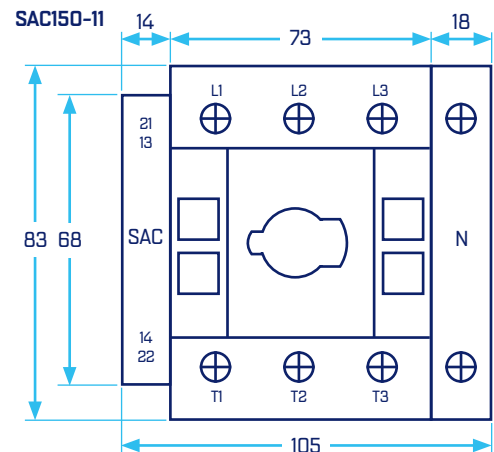
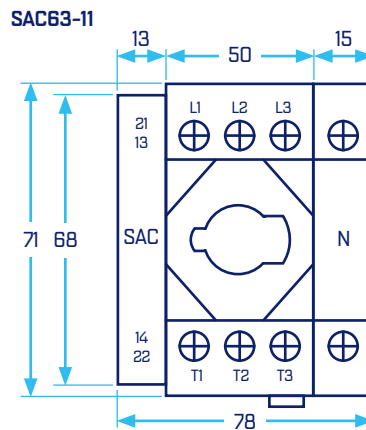
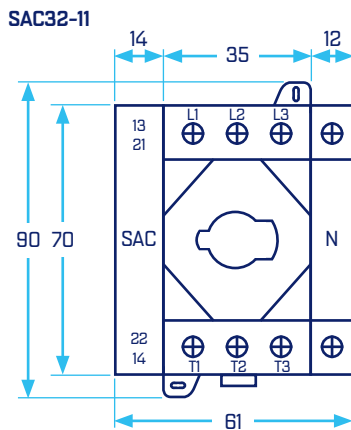
### ORDERING INFORMATION

Part Number	Fits
SAC32-11	IS4P20, IS4P20L, IS4P32, IS4P32L
SAC63-11	IS4P40, IS4P63
SAC150-11	IS4P80, IS4P100, IS4P125, IS4P150

### WIRING



### DIMENSIONS (mm)



### TECHNICAL SPECIFICATION

Part Number	SAC32-11	SAC63-11	SAC150-11
<b>Contact Configuration</b>	1 Normally Open (NO), 1 Normally Closed (NC)		
<b>Rated Operational Current I<sub>a</sub> [AC15] (A) 230V</b>	6	6	6
<b>Rated Operational Current I<sub>a</sub> [DC13] (A) 125V</b>	1.1	1.1	1.1
<b>Rated Operational Current I<sub>a</sub> [DC13] (A) 250V</b>	0.55	0.55	0.55
<b>Rated Insulation Voltage U<sub>i</sub> (V)</b>	500	500	500
<b>Maximum Fuse (A) gG/gL</b>	10	10	10
<b>Max. Cable Size (Solid) (mm<sup>2</sup>)</b>	0.75 - 2.5	0.75 - 2.5	0.75 - 2.5
<b>Max. Cable Size (Flexible with Ferrule) (mm<sup>2</sup>)</b>	0.5 - 1.5	0.5 - 1.5	0.5 - 1.5
<b>Tightening Torque (Nm)</b>	0.6	0.6	0.6
<b>Control Circuit Reliability at 24V DC, 10mA (Hr)</b>	< 10 <sup>-5</sup> , < 1 fault in 100,000 operations		
<b>Compliance</b>	IEC EN 60947-3, RoHS		
<b>Approvals</b>	UKCA, CE		

For more information, email [info@stag-electrical.com.au](mailto:info@stag-electrical.com.au)